



BUILD #

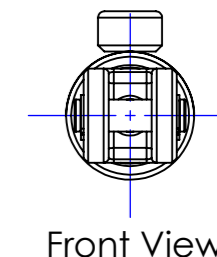
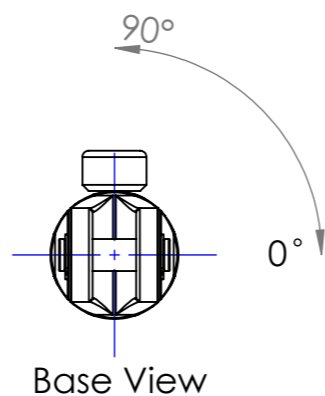
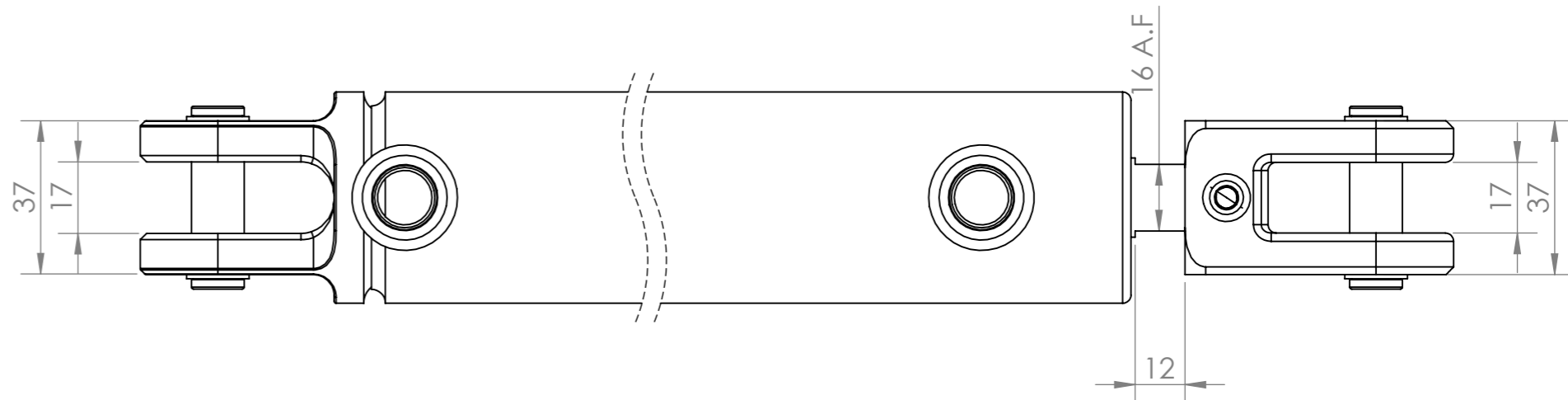
STAMPING DETAILS:
MOTUS XXXXX
MH15007524TRD

Sales Order Number:

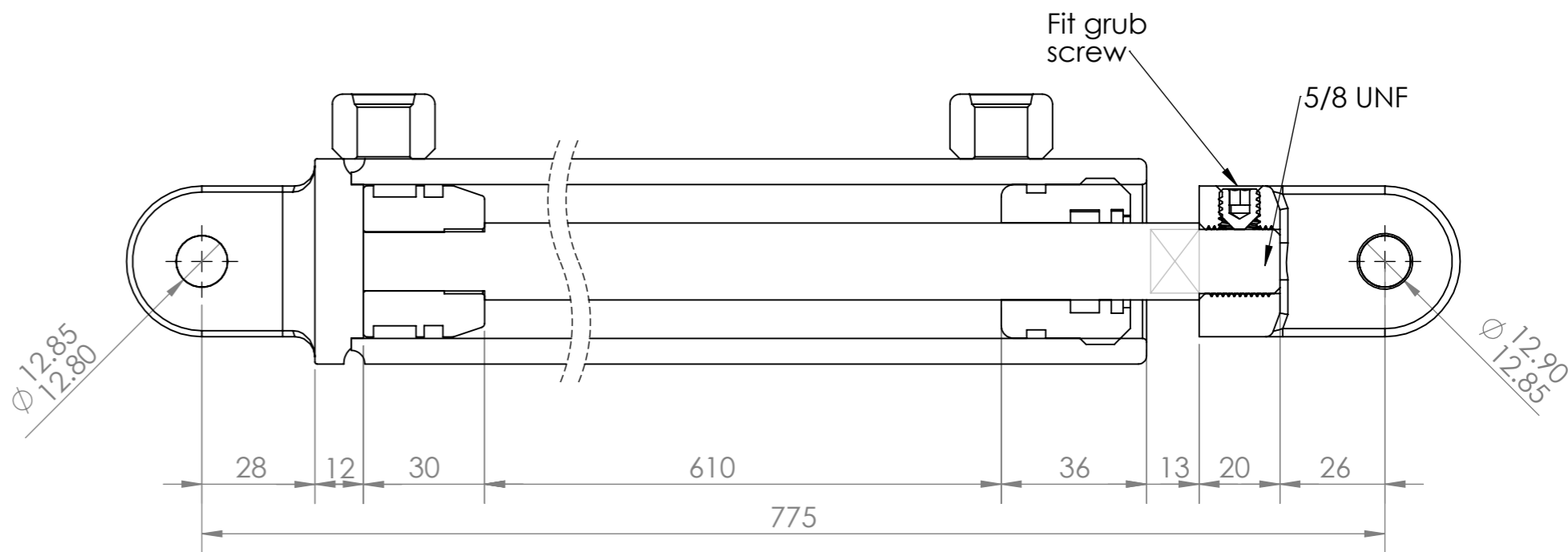
Invoice Number:

Company:		
Customer Order Number:		
Order Date:		
Date of Dispatch:		
Cylinder Type:	WRC	DA
Stock Code:	MH15007524TRD	

Quantity:		
Multiple order:		of:
Motus Decal:	Yes	
Paint/Finish:	Charcoal	
Seal Kit :	6106788	
Stamping Type:	Roll	
Bore Dia / Finished Length	Ø 1.5"	679 mm
Wall Thickness :	Standard	
Shaft Dia / Finished Length	Ø 0.75"	709 mm
Material :	Standard	
Piston Thread Details:	Ø 0.63	30 mm



BASE	SPEAR
Mount: Base Clevis BFCL15040M-0.5 (Part No:) 6007614	Mount: Threaded Clevis CL0.5-17-46 5/8 UNF Thread (Part No:) 6006283
Pin Size Ø : 1/2"	Pin Size Ø : 1/2"
L Bore: - Bush Type:- Bush Size: -	L Bore:- Bush Type:- Bush Size: -
Base Bearing: -	Shaft Bearing : -
Grease Nipple: N/A	Grease Nipple: N/A
Port: 9/16 Female UNO -6	Port: 9/16 Female UNO -6
Orientation: 90 °	Orientation: 90 °
Drill Size: 3 mm	Drill Size: 3 mm
Drill Distance: 8 mm	Drill Distance: 36 mm



Stroke :	610 mm
Closed Centres :	775 mm
Open Centres :	1385 mm

Special Instructions:
Fit pins and clips to clevises
Fit metal plugs in ports
Apply 680 loctite to clevis thread and grub screw

ITEM NO.	PART NUMBER	DESCRIPTION	QTY.
1	-	5814- BARREL	1
2	-	5814- SHAFT	1
3	6106788	SK150075Seal Kit	1
4	KR150	1.5" Wire retaining clip	1
5	6006106-2	WRC150075 HEAD	1
6		WR150P Piston	1
7	6006283	CL0.5-17-46 Threaded Clevis-5/8UNF	1
8	6007611	1-2" Pin	2
9	6007612	1-2" External Circlip	4
10	9009427	3/8 UNF Grub Screw	1
11	6006856-2	-6 UNO FM Port 9/16	2
12	6007614	BFCL15040M-0.5 Pin	1

